



INTRODUCTION

UNO BATT & RF UART SHIELD V2.0 design is for wireless application, The board include 2xAAA (LR03) battery holder or 3.7V 900mAh Li-ion battery/5V 1.5A DC2DC converter and a RF UART module LC-1000R which from INHAOS.

The board can be provide 5V 1.5A to UNO and it's periphery, normally 2 AAA battery can be use 300H continuous and Li-ion battery can be use 200H under power save mode.

The shield also can be use Ni-MH rechargeable batteries.







Order information

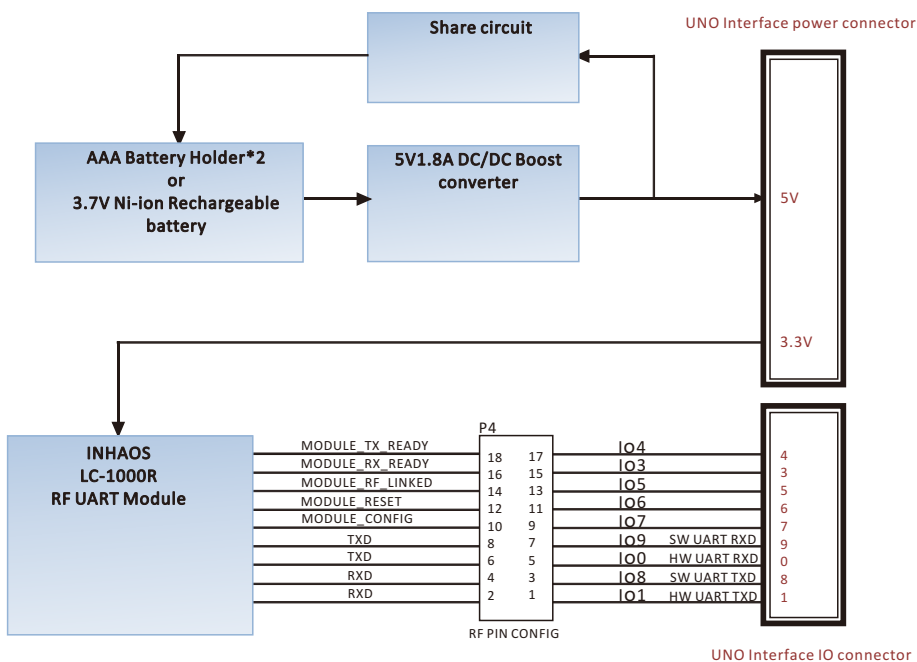
Promoting Kit:

Part Number	Battery Type	Onboard Charger	LoBatt threshold	Battery life	Remark
603-0021-AL	AAA battery holder	NO	1.3V	300 H	
603-0021-LI	3.7V 900mAh Li-ion battery	YES	3.6V	200 H	Rechargeable

Promoting Kit:

Part Number	Kit Name	Content	Picture	Application
207-0009	PK-12	1 * RF & BATT Shield Board 1 * BUONO UNO R3 1 * LC-1000RU		Wireless communication between UNO and PC
207-0010	PK-13	2 * RF & BATT Shield Board		Working with exist Arduino board and communication to each other
207-0011	PK-14	2 * RF & BATT Shield Board 2 * BUONO UNO R3		Two UNO communication to each other
207-0012	PK-15	1 * RF & BATT Shield Board 1 * LC-1000RU		Working with exist Arduino board and communication to PC

Board diagram:



FEATURES

- Onboard AAA (LR03) battery holder or 3.7V 900mAh Battery
- Onboard charging circuit with Li-ion battery version
- Onboard high performance 2.4G RF UART module
- 5V 1.5A max output current
- Onboard low battery detect
- RF UART can be connect to hardware UART or IO8/IO9 with software serial and select by jumper
- Max baudrate support to 57600bps
- Can be working in 1 to N mode or 1 to 1 mode
- Directly connect to UNO

PARAMETER

- Support battery: Any AAA Size battery
- Output voltage: 5V 1.5A
- DC/DC Efficiency: Max 96%
- RF Baud: 2.4GHz ISM baud
- RF Power: Max 0dBm
- Max distance: 30m outdoor
- Max baudrate support: 57600bps

CONTACT US

540 Mill River LN San Jose, CA95134
E-mail: support@inhaos.com
Web: www.inhaos.com