

	DATE	18 Sep, 08	SPECIFICATION	OLE WOLFF INTERNATIONAL	
	PAGE	1 / 6		WWW.OWOLFF.COM	
	<i>HK</i>	<i>MODEL NAME: OWS-3648T-25-8KG</i>			<i>REV. 1</i>

SPECIFICATION FOR APPROVAL

Speaker

Model Name	OWS-3648T-25-8KG
Note	RoHS Compliant

		DRAWN	CHECKED	APPROVED
CUSTOMER	SIGN			
OLE WOLFF	SIGN			

REVISION NOTES:

Date	Rev. No.	Description of Revision
2008.10.10	Rev. 1	Add lettering in the front of the speaker

OLE WOLFF ELEKTRONIK A/S Roedengvej 25 4180 Soroe Denmark TEL: +45 57833830 FAX: +45 57820019	OLEWOLFF ELECTRONICS INC. 150 North Michigan Avenue Suite 2800 Chicago IL 60601 USA Tel : +312 624 7695 Fax : +312 624 7701	OLEWOLFF ELEKTRONIK GmbH Schnackenburgallee 14 D-22525 Hamburg GERMANY TEL: +49 (0) 407669070 FAX: +49 (0) 40772929	OLEWOLFF ELECTRONICS 3 Bedford Street, Woburn, Bedfordshire MK17 9QB, ENGLAND TEL: +44 (0) 1525 290755 FAX: +44 (0) 1525 290855	OLEWOLFF ELEKTRONIK Yliopistonkatu 34, P.O. Box 257, FIN-00101 Jyväskylä FINLAND TEL: +358 14 338 3050 FAX: +358 14 338 3059	OLE WOLFF (ASIA) LTD. Unit 1-5, 10/F., Peninsula Tower, 538 Castle Peak Road, Lai Chi Kok, Kowloon, H.K. TEL: +852 2424 3274 FAX: +852 2424 2219	OLE WOLFF ELECTRONICS (M) SDN. BHD. 7, Persiaran Bukit Kecil 1, Taman Sri Nibong, Bayan Lepas, Penang, Malaysia, Post code : 11900 TEL: +604 646 9573 FAX: +604 643 0981
---	--	---	---	---	---	---

	DATE	18 Sep, 08	SPECIFICATION	OLE WOLFF INTERNATIONAL
	PAGE	2 / 6		WWW.OWOLFF.COM
	<i>HK</i>	<i>MODEL NAME: OWS-3648T-25-8KG</i>		<i>REV. 1</i>

1. SCOPE

THIS SPECIFICATION IS APPLIED TO OLE WOLFF SPEAKER UNIT OF MODEL: OWS-3648T-25-8KG

2. TEST CONDITION

TEMPERATURE : 5~35°C

HUMIDITY : 45~85%(RH)

ATMOSPHERE : 860~1060hPa

3. MECHANICAL LAYOUT & DIMENSIONS:

DIMENSIONS : AS SHOWN IN FIGURE 3

WEIGHT: Approx 9.0gram

4. ELECTRICAL AND ACOUSTIC CHARACTERISTICS (AT 20°C)

1	RATED IMPEDANCE:	8±15%Ω
2	SOUND PRESSURE LEVEL:	92±3dB SPL @0.1W,0.1m 0.8,1.0,1.2,1.5KHz in average (0dB SPL=20μPa)
3	RESONANCE FREQUENCY	600±20%Hz@1.0V(Without Baffler)
4	RATED INPUT POWER	Nominal Power : 1.0W Maximum Power : 1.5W
5	TEST METHOD	The Speaker shall be mounted in a baffle described in the Fig.1,and tested with 0.89V(0.1W); The measuring microphone shall be placed 10cm from the speaker in an anechoic chamber.

OLE WOLFF ELEKTRONIK A/S Roedengvej 25 4180 Soroe Denmark TEL: +45 57833830 FAX: +45 57820019	OLEWOLFF ELECTRONICS INC. 150 North Michigan Avenue Suite 2800 Chicago IL 60601 USA Tel : +312 624 7695 Fax : +312 624 7701	OLEWOLFF ELEKTRONIK GmbH Schnackenburgallee 14 D-22525 Hamburg GERMANY TEL: +49 (0) 407669070 FAX: +49 (0) 40772929	OLEWOLFF ELECTRONICS 3 Bedford Street, Woburn, Bedfordshire MK17 9QB, ENGLAND TEL: +44 (0) 1525 290755 FAX: +44 (0) 1525 290855	OLEWOLFF ELEKTRONIK Yliopistonkatu 34, P.O. Box 257, FIN-40101 Jyväskylä FINLAND TEL: +358 14 338 3050 FAX: +358 14 338 3059	OLE WOLFF (ASIA) LTD. Unit 1-5, 10/F., Peninsula Tower, 538 Castle Peak Road, Lai Chi Kok, Kowloon, H.K. TEL: +852 2424 3274 FAX: +852 2424 2219	OLE WOLFF ELECTRONICS (M) SDN. BHD. 7, Persiaran Bukit Kecil 1, Taman Sri Nibong, Bayan Lepas, Penang, Malaysia, Post code : 11900 TEL: +604 646 9573 FAX: +604 643 0981
---	--	---	---	---	---	---

	DATE	18 Sep, 08	SPECIFICATION	OLE WOLFF INTERNATIONAL
	PAGE	3 / 6		WWW.OWOLFF.COM
	<i>HK</i>	<i>MODEL NAME: OWS-3648T-25-8KG</i>		<i>REV. 1</i>

5. QUALIFICATION TESTS

<p>- After Test</p> <p>Being placed (5.1-5.5) for 6 hours at +25°C, receiver shall be measured. No obstacle to be harmful to normal operation; damages, cracks, rusts, etc. Should not be audible at 2.83V, sine wave between Fo~20KHz S.P.L. deviation of unit should be within ±3dB</p>
<p>5.1 High Temperature Test</p> <p>TEMPERATURE :+55°C DURATION :96hours</p>
<p>5.2 Low Temperature Test</p> <p>TEMPERATURE :-20°C DURATION :96hours</p>
<p>5.3 Temperature Cycle Test</p> <p>TEMPERATURE :-20°C +55°C DURATION :2hours 2 hours CYCLE :5 cycles</p>
<p>5.4 Humidity Test</p> <p>TEMPERATURE : +40°C DURATION :90%(RH) CYCLE :96hours</p>
<p>5.5 Load Test</p> <p>NOISE :white noise DURATION : 96hours INPUT POWER : 1.0W</p>
<p>(5.6-5.7)No obstacle to be harmful to normal operation; damages, cracks, rusts and distortions. Should not be audible at 2.83V, sine wave between Fo~20KHz S.P.L. deviation of unit should be within ±3dB</p>
<p>5.6 Vibration Test</p> <p>AFTER TEST, THE SENSITIVITY DIFFERENCE SHALL BE WITHIN ±3dB at 1.0KHZ, 1.2KHZ, 1.5KHZ, 2.0KHz AVERAGE</p> <p>VIBRATION :10~55Hz/min AMPLITUDE :1.5mm DURATION :2 hours in each of 3 axes</p>
<p>5.7 Drop Test (under the unit)</p> <p>AFTER TEST, THE SENSITIVITY DIFFERENCE SHALL BE WITHIN ±3dB at 1.0KHz, 1.2KHz, 1.5KHz, 2.0KHz AVERAGE</p> <p>HEIGHT :0.75m CYCLES :10 cycles</p>

OLE WOLFF ELEKTRONIK A/S Roedengvej 25 4180 Soroe Denmark TEL: +45 57833830 FAX: +45 57820019	OLEWOLFF ELECTRONICS INC. 150 North Michigan Avenue Suite 2800 Chicago IL 60601 USA Tel : +312 624 7695 Fax : +312 624 7701	OLEWOLFF ELEKTRONIK GmbH Schnackenburgallee 14 D-22525 Hamburg GERMANY TEL: +49 (0) 407669070 FAX: +49 (0) 40772929	OLEWOLFF ELECTRONICS 3 Bedford Street, Woburn, Bedfordshire MK17 9QB, ENGLAND TEL: +44 (0) 1525 290755 FAX: +44 (0) 1525 290855	OLEWOLFF ELEKTRONIK Yliopistonkatu 34, P.O. Box 257, FIN-40101 Jyväskylä FINLAND TEL: +358 14 338 3050 FAX: +358 14 338 3059	OLE WOLFF (ASIA) LTD. Unit 1-5, 10/F., Peninsula Tower, 538 Castle Peak Road, Lai Chi Kok, Kowloon, H.K. TEL: +852 2424 3274 FAX: +852 2424 2219	OLE WOLFF ELECTRONICS (M) SDN. BHD. 7, Persiaran Bukit Kecil 1, Taman Sri Nibong, Bayan Lepas, Penang, Malaysia, Post code : 11900 TEL: +604 646 9573 FAX: +604 643 0981
---	--	---	---	---	---	---

	DATE	18 Sep, 08	SPECIFICATION	OLE WOLFF INTERNATIONAL	
	PAGE	4 / 6		WWW.OWOLFF.COM	
	<i>HK</i>	<i>MODEL NAME: OWS-3648T-25-8KG</i>			<i>REV. 1</i>

6. BLOCK DIAGRAM FOR MEASUREMENT METHOD (Figure 1).

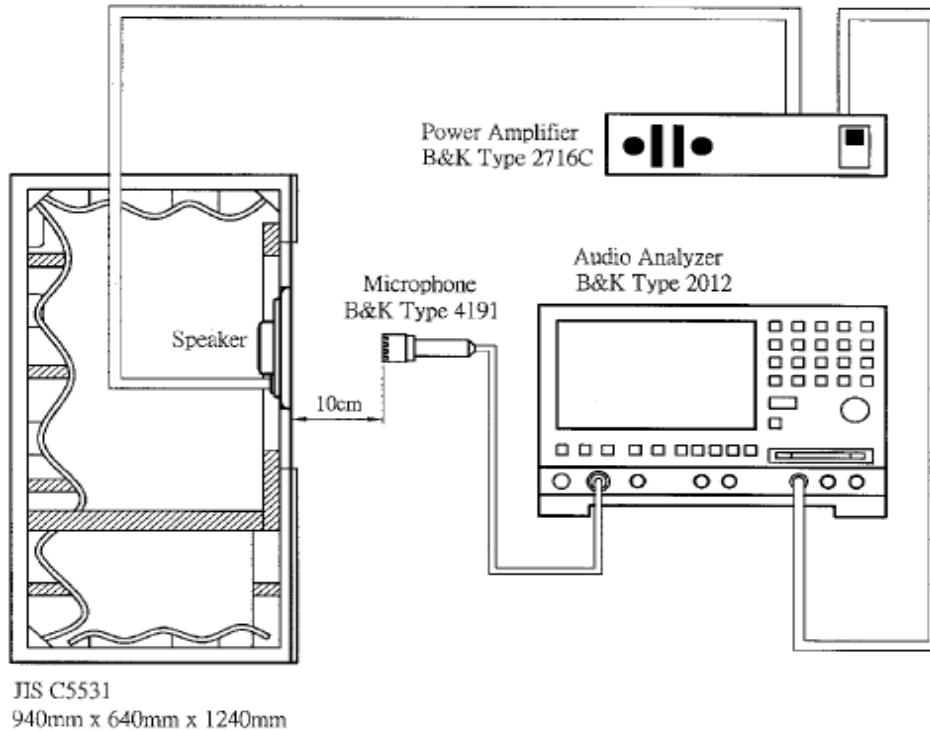


FIG.1 (Speaker Measurement Method)

7. STANDARD FREQUENCY RESPONSE (Figure 2)

The swept sine-wave frequency response of a loudspeaker should ideally not deviate more than indicated per Fig.2 At 0.1m 0.1W

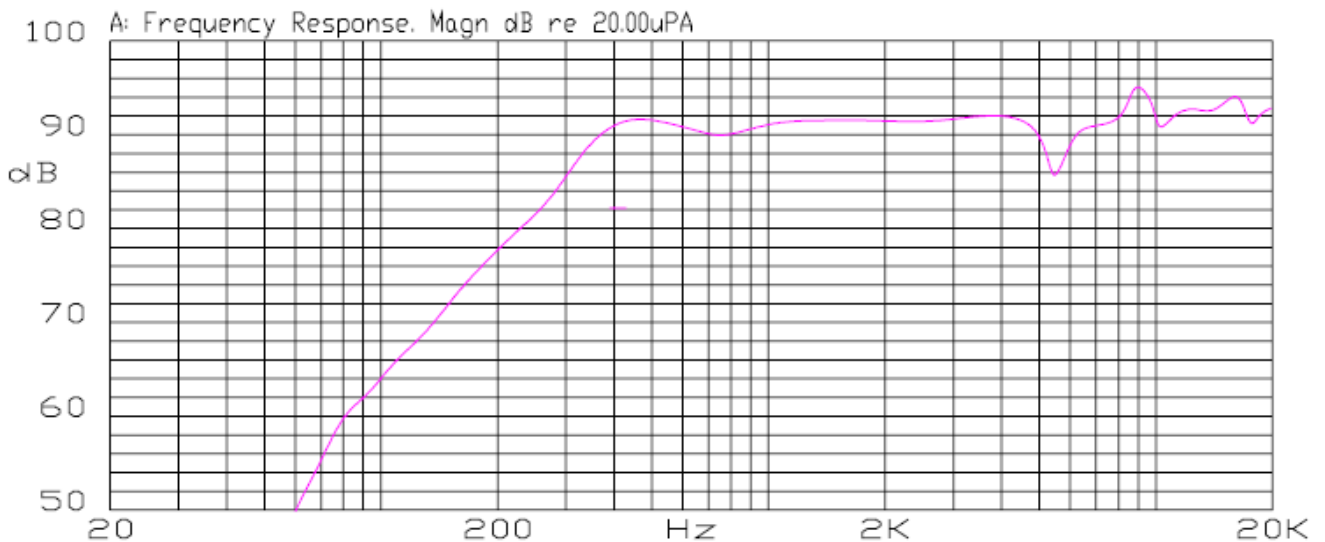
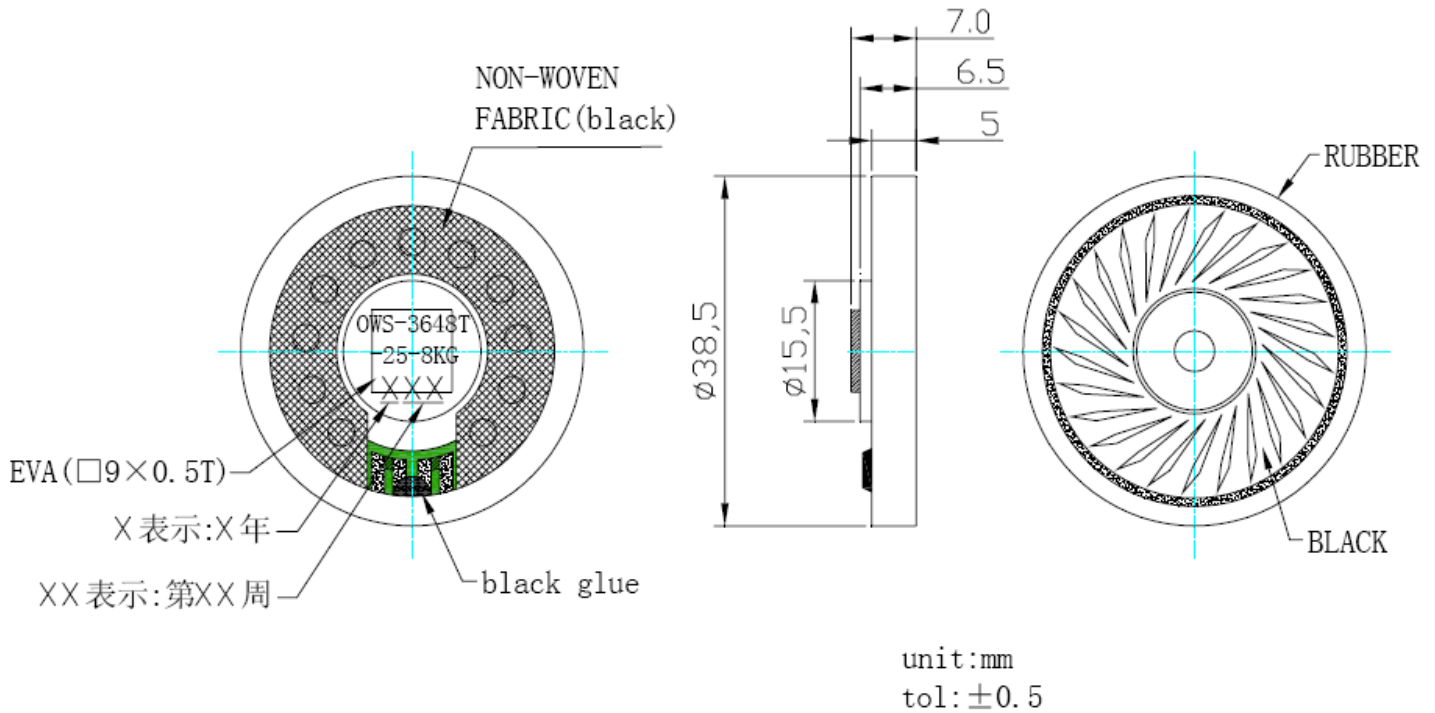


FIG.2 (Loud speaker Typical Frequency Response)

OLE WOLFF ELEKTRONIK A/S Roedengvej 25 4180 Soroe Denmark TEL: +45 57833830 FAX: +45 57820019	OLEWOLFF ELECTRONICS INC. 150 North Michigan Avenue Suite 2800 Chicago IL 60601 USA Tel : +312 624 7695 Fax : +312 624 7701	OLEWOLFF ELEKTRONIK GmbH Schnackenburgallee 14 D-22525 Hamburg GERMANY TEL: +49 (0) 407669070 FAX: +49 (0) 40772929	OLEWOLFF ELECTRONICS 3 Bedford Street, Woburn, Bedfordshire MK17 9QB, ENGLAND TEL: +44 (0) 1525 290755 FAX: +44 (0) 1525 290855	OLEWOLFF ELEKTRONIK Yliopistonkatu 34, P.O. Box 257, FIN-40101 Jyväskylä FINLAND TEL: +358 14 338 3050 FAX: +358 14 338 3059	OLE WOLFF (ASIA) LTD. Unit 1-5, 10/F., Peninsula Tower, 538 Castle Peak Road, Lai Chi Kok, Kowloon, H.K. TEL: +852 2424 3274 FAX: +852 2424 2219	OLE WOLFF ELECTRONICS (M) SDN. BHD. 7, Persiaran Bukit Kecil 1, Taman Sri Nibong, Bayan Lepas, Penang, Malaysia, Post code : 11900 TEL: +604 646 9573 FAX: +604 643 0981
---	--	---	---	---	---	---

	DATE	18 Sep, 08	SPECIFICATION	OLE WOLFF INTERNATIONAL	
	PAGE	5 / 6		WWW.OWOLFF.COM	
	HK	MODEL NAME: OWS-3648T-25-8KG			REV. 1

8. MECHANICAL DRAWING (Figure 3)

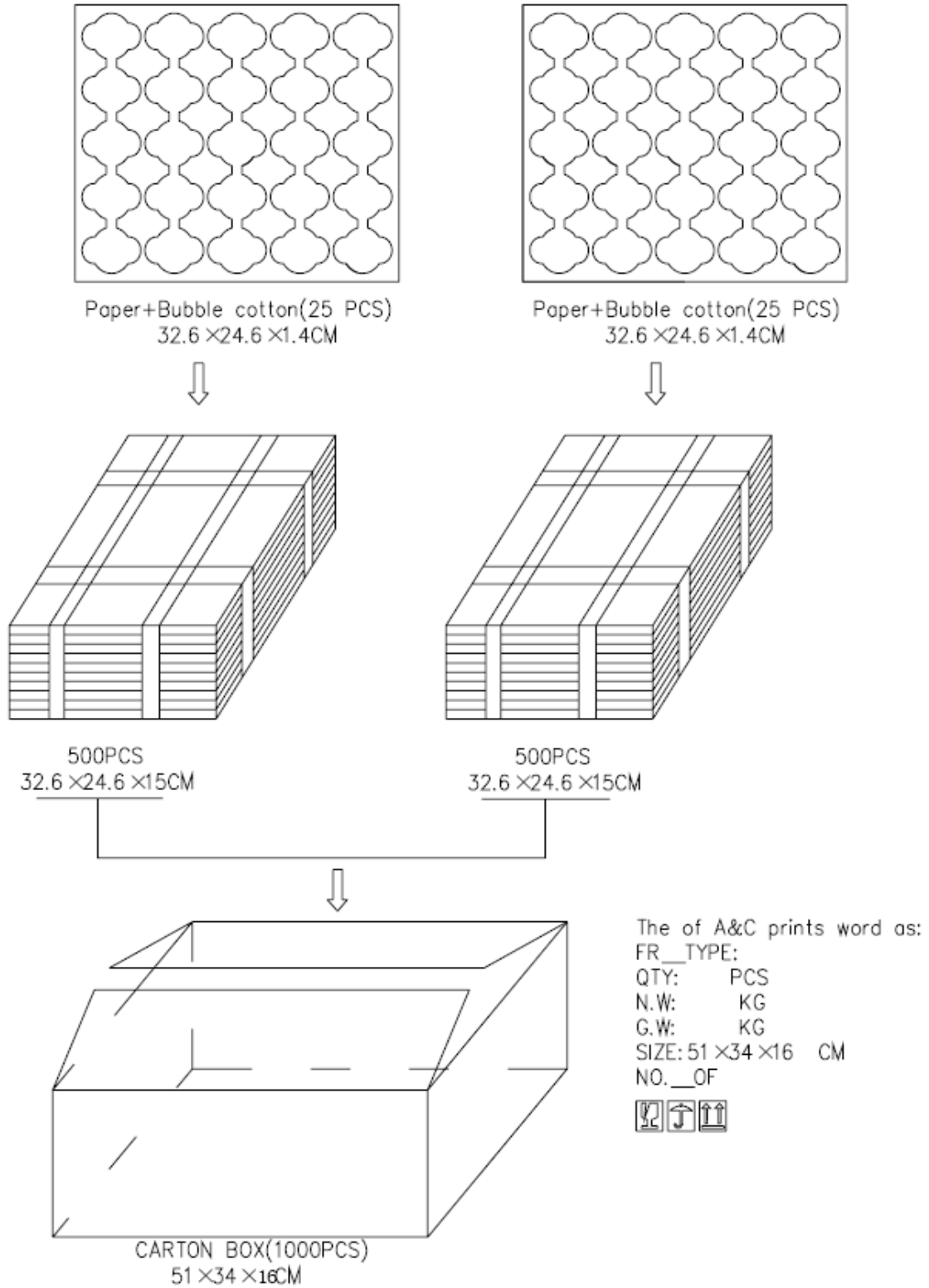


9	RING	1	φ38.5*5.0	RUBBER	ROHS
8	RING	1	φ34.8*φ32.8*1.2	PAPER	ROHS
7	NON-WOVEN FABRIC	1	φ30*φ17*90G		ROHS
6	PCB	1	OW28S202L-F		ROHS
5	MAGNET	1	φ12.5*1.5(N35)	Nd-Fe-B	ROHS
4	INNER POLE PLATE	1	φ12.7*0.8	Fe	ROHS
3	VOICE COIL	1	V13.28R8H2.1C0.07	Cu	ROHS
2	DIAPHRAGM	1	φ34.95-1-H4 +7.5 (black)	PET	ROHS
1	FRAME	1	DHF3606	Fe	ROHS
NO.	Part Name	Q*ty	Type of Material	MATERIAL	Remark

OLE WOLFF ELEKTRONIK A/S Roedengvej 25 4180 Soroe Denmark TEL: +45 57833830 FAX: +45 57820019	OLEWOLFF ELECTRONICS INC. 150 North Michigan Avenue Suite 2800 Chicago IL 60601 USA Tel: +312 624 7695 Fax: +312 624 7701	OLEWOLFF ELEKTRONIK GmbH Schnackenburgallee 14 D-22525 Hamburg GERMANY TEL: +49 (0) 407669070 FAX: +49 (0) 40772929	OLEWOLFF ELECTRONICS 3 Bedford Street, Woburn, Bedfordshire MK17 9QB, ENGLAND TEL: +44 (0) 1525 290755 FAX: +44 (0) 1525 290855	OLEWOLFF ELEKTRONIK Yliopistonkatu 34, P.O. Box 257, FIN-40101 Jyväskylä FINLAND TEL: +358 14 338 3050 FAX: +358 14 338 3059	OLE WOLFF (ASIA) LTD. Unit 1-5, 10/F., Peninsula Tower, 538 Castle Peak Road, Lai Chi Kok, Kowloon, H.K. TEL: +852 2424 3274 FAX: +852 2424 2219	OLE WOLFF ELECTRONICS (M) SDN. BHD. 7, Persiaran Bukit Kecil 1, Taman Sri Nibong, Bayan Lepas, Penang, Malaysia, Post code : 11900 TEL: +604 646 9573 FAX: +604 643 0981
---	--	---	---	---	---	---

	DATE	18 Sep, 08	SPECIFICATION	OLE WOLFF INTERNATIONAL
	PAGE	6 / 6		WWW.OWOLFF.COM
	HK	MODEL NAME: OWS-3648T-25-8KG		REV. 1

9. PACKAGE (Figure 4)



OLE WOLFF ELEKTRONIK A/S Roedengvej 25 4180 Soroe Denmark TEL: +45 57833830 FAX: +45 57820019	OLEWOLFF ELECTRONICS INC. 150 North Michigan Avenue Suite 2800 Chicago IL 60601 USA Tel : +312 624 7695 Fax : +312 624 7701	OLEWOLFF ELEKTRONIK GmbH Schnackenburgallee 14 D-22525 Hamburg GERMANY TEL: +49 (0) 407669070 FAX: +49 (0) 40772929	OLEWOLFF ELECTRONICS 3 Bedford Street, Woburn, Bedfordshire MK17 9QB, ENGLAND TEL: +44 (0) 1525 290755 FAX: +44 (0) 1525 290855	OLEWOLFF ELEKTRONIK Yliopistonkatu 34, P.O. Box 257, FIN-40101 Jyväskylä FINLAND TEL: +358 14 338 3050 FAX: +358 14 338 3059	OLE WOLFF (ASIA) LTD. Unit 1-5, 10/F., Peninsula Tower, 538 Castle Peak Road, Lai Chi Kok, Kowloon, H.K. TEL: +852 2424 3274 FAX: +852 2424 2219	OLE WOLFF ELECTRONICS (M) SDN. BHD. 7, Persiaran Bukit Kecil 1, Taman Sri Nibong, Bayan Lepas, Penang, Malaysia, Post code : 11900 TEL: +604 646 9573 FAX: +604 643 0981
---	--	---	---	---	---	---