



### High Precision 5 V Reference

## AD586

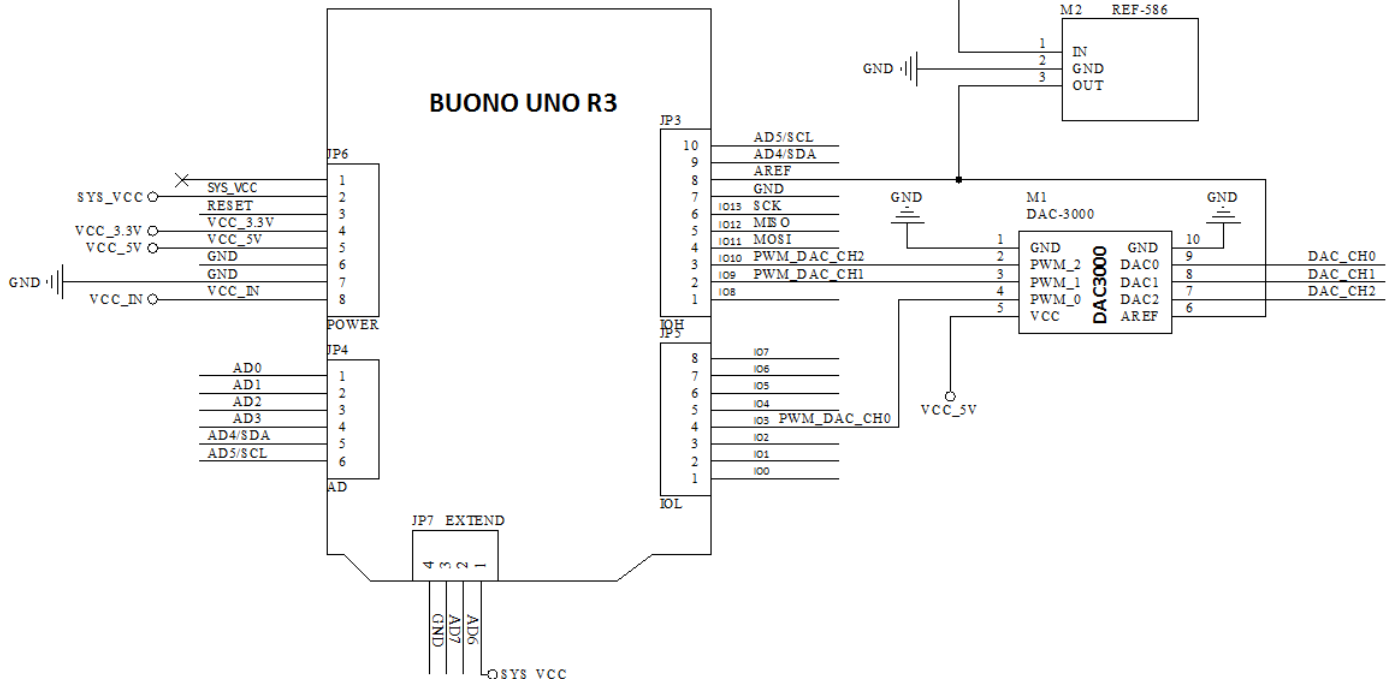
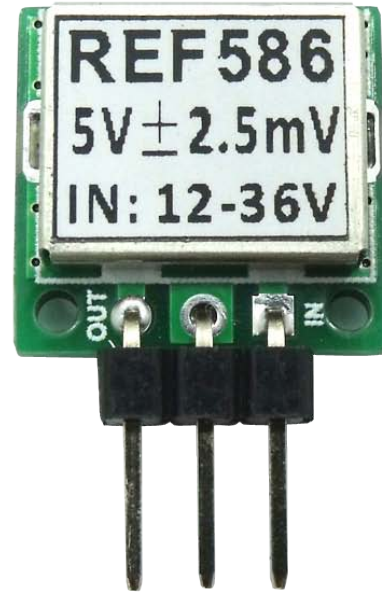
### Features

- 1, Using AD586( L grades) from Analog Devices.
- 2, Output voltages: **5.000 V ± 2.5 mV**
- 3, Low Noise **100 nV/√Hz**
- 4, Temperature Drift: **5ppm/° C** (L grades)
- 5, Output capable of sourcing or sinking 10 mA
- 6, Maximum Input Current: 3mA @ 12V to 15V Input
- 7, Industrial Temperature Range: 0 to +70° C

### Specifications

Input Voltage Range :	12 to 36V
Vout :	<b>4.9975V to 5.0025V</b>
Output Voltage Drift:	5ppm/° C
Long-term output stability:	15ppm/1000Hr
Max Load Current:	10mA
Chip:	<b>ADS86LR</b> from Analog Devices

### Application Example



#### INHAOS Headquarter:

1111 Oakmont Drive #C, San Jose, CA 95117  
E-mail : support@inhaos.com

#### INHAOS China office:

No.6 Building, Songke Estate, Songshan Lake National Hi-tech Industrial Development Zone, Dongguan, Guangdong Province, 523808, China

E-mail: Support@inhaos.com