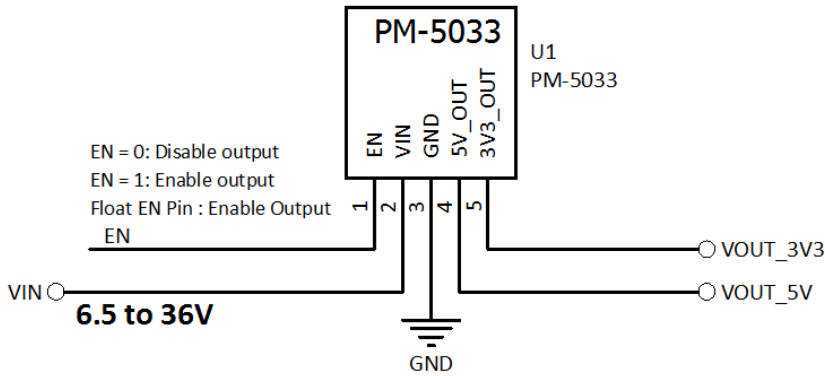


PM-5033

6.5 to 36V INPUT 5V 3.3V output DC2DC Power supply Module

INHAOS™
Everything done inhouse



Features & Parameters

- Adopt TI Step-Down SWIFT Converter **TPS5430**
 - **2CH output:**
 - CH1: 5V 2.5A Output**
 - CH2: 3.3V 500mA Output (will share load capacity with 5V channel)**
 - Wide 6.5V to 36V Input Voltage Range
 - TO-220 liked size, direct replace LM7805 or similar applications
 - Two module for user's choice:
- Input Voltage Range: 6.5 to 36V
 - Output: 5V (PM-5033-1) or 5V / 3.3V (PM-5033-2)
 - Max Switching Current(Adjustable channel): 3A
 - Output Voltage Initial Accuracy : 2.5%
 - PCBA Size: 19 * 14.5mm
 - Operation Temperature: -40 to 125° C
 - Storage Temperature: -65 to 165° C

PM-5033-1: Only 5V output

PM-5033-2: Dual channel 5V and 3.3V output

- High efficiency up to 95%
- 5V channel can be customer to any value within 1.22V to INPUT range

Notice:

The 3.3V current consumption will share from 5V channel, that means the 5V load capacity will included 3.3V's load, for the example, if 3.3V draw 500mA current consumption, the 5V channel have to limit output current to **2500mA - 500mA = 2A**

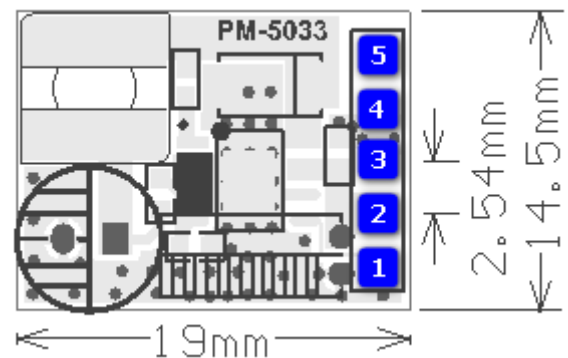
Pin Description

No	Symbol	Function	Apply	Remark
1	EN	On/Off Control, below 0.5V the device stops switching, Float the pin to enable	PM-5033-1	
2	VIN	Input supply voltage	PM-5033-1 PM-5033-2	
3	GND	Ground	PM-5033-1 PM-5033-2	
4	5V	5V out, max load 2.5A	PM-5033-1 PM-5033-2	
5	3V3	3.3V out, max load 500mA	PM-5033-1	

For more detailed, please reference to the datasheet of:

1, 5V IC : **TPS5430** : <http://www.ti.com/product/tps5430?keyMatch=TPS5430&tisearch=Search-EN-Everything>

2, 3.3V IC : **LM1117-3.3** : <http://www.ti.com/product/lm1117/description?keyMatch=LM1117&tisearch=Search-EN-Everything>



Contact us

INHAOS Headquarter: :

1111 Oakmont Drive #C, San Jose, CA 95117

E-mail : support@inhaos.com

INHAOS China office: :

No.6 Building,Songke Estate,Songshan Lake National Hi-tech Industrial Development Zone,Dongguan,Guangdong Province, 523808,China

E-mail: Support@inhaos.com