

MIC-1000

Microphone pre-amplifier / Sound detector

Features

- 1, Low Cost , easy to use.
- 2, Gain =100 and it's can be adjust by install a resistor
- 3, Onboard microphone or External microphone
- 4, Digital output for if the sound input or not
- 5, Analog output for how value of the sound input
- 6, Audio signal output for audio application

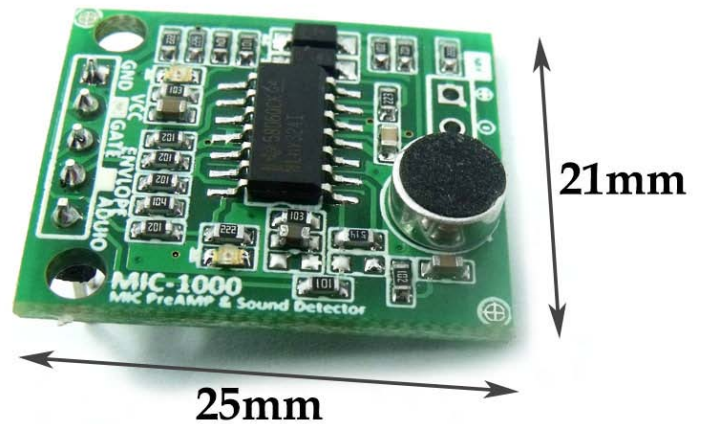
Specifications

Electrical Characteristics

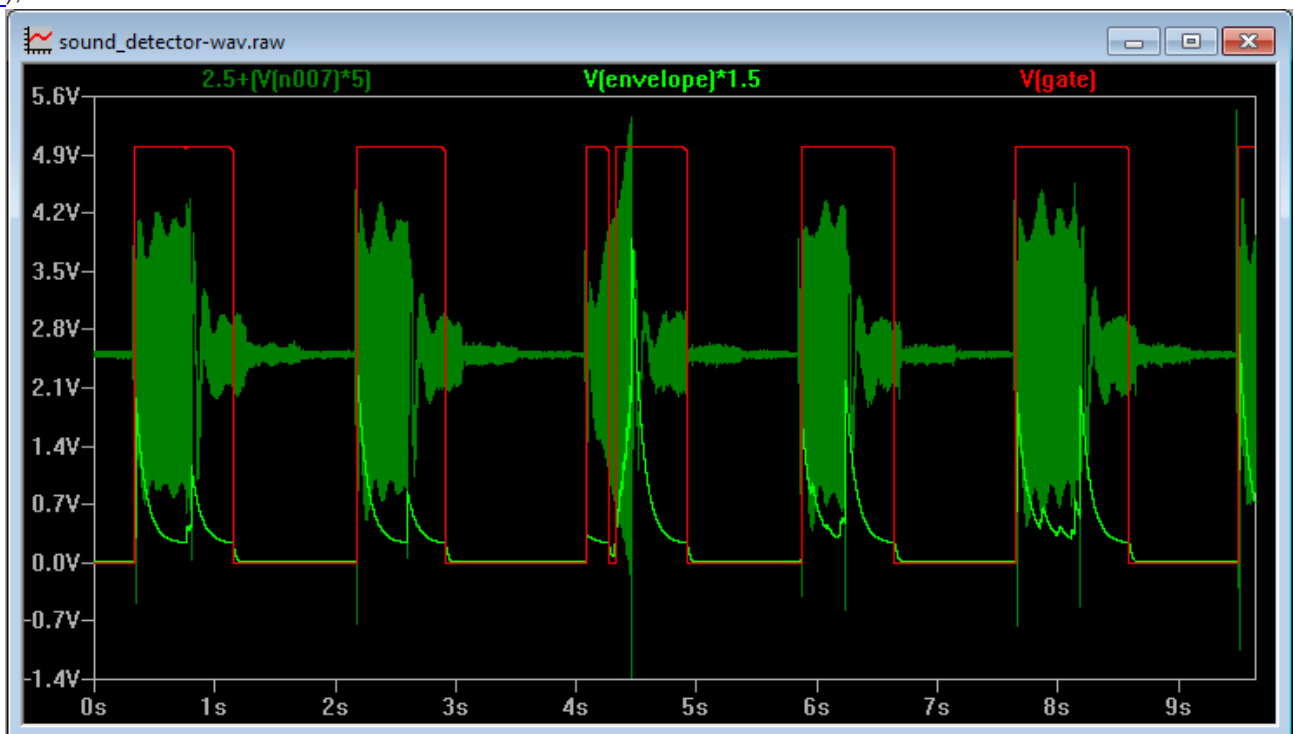
Power supply : 3.3 to 5.5V
Default Gain : 510

Environmental

Operation Temperature : 0°C to 55°C
Operating Humidity : 0 to 90% non-condensing
Storage Temperature : -20°C to 65°C



The Sound Detector has 3 separate outputs. It's easiest to see what each is doing with a graph. The following illustrates how the sound detector responds to a series of sound pulses. (Below picture is come from sparkfun website (https://learn.sparkfun.com/tutorials/sound-detector-hookup-guide?_ga=1.205459160.998028315.1459253737#configuration), thanks!

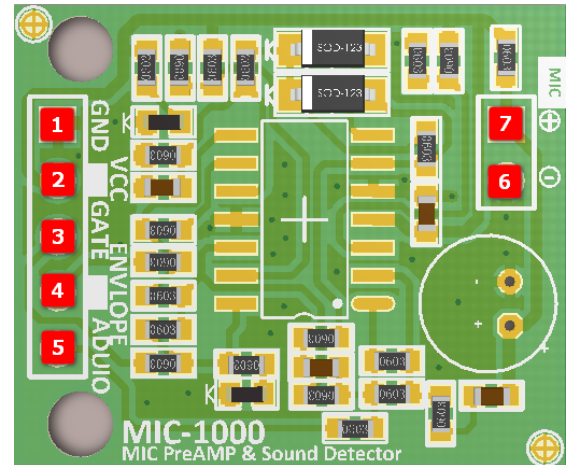


MIC-1000

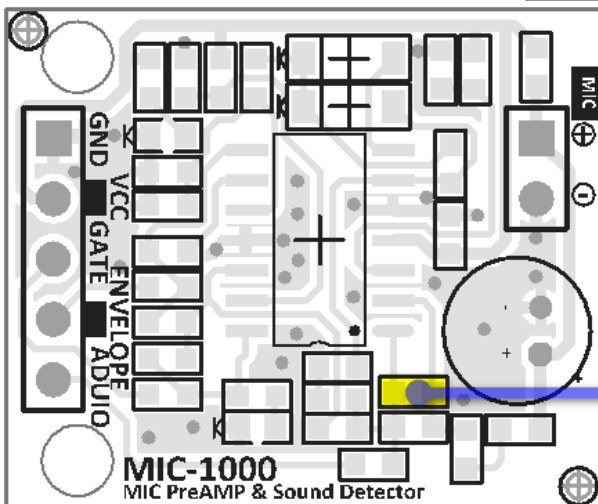
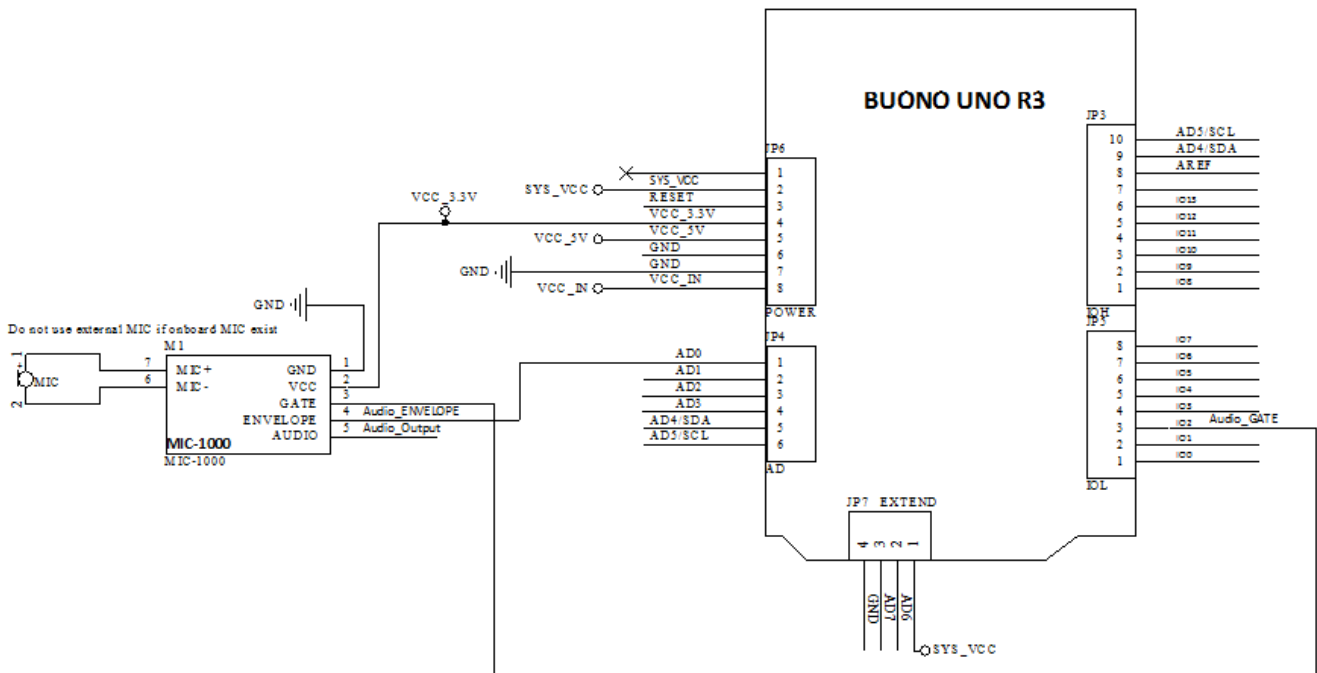
Microphone pre-amplifier / Sound detector

Pin description

No.	Pin Name	Description	I/O	A/D	Remark
1	GND	GND	P	---	
2	VCC	POWER	P	---	DC 3.3 to 5.5V
3	GATE	Sound detected	O	D	Output HIGH during sound detected
4	ENVELOPE	Signal peak amplitude	O	A	
5	AUDIO	Audio signal	O	A	Pure audio wave output
6	GND	GND	P	---	
7	MIC+	MIC+	I	A	Only Use external MIC when no onboard MIC



Application schematic



Gain setting resistor, the default value = 510K (gain = 510).
Gain = Rgain / 1K

If your application environment is very noisy, reduce the resistance decreases gain.

INHAOS Headquarter:

1111 Oakmont Drive #C, San Jose, CA 95117
E-mail : support@inhaos.com

INHAOS China office:

No.6 Building, Songke Estate, Songshan Lake National Hi-tech Industrial Development Zone, Dongguan, Guangdong Province, 523808, China

E-mail: Support@inhaos.com