

# DRV-2803

## 8-CH 50V 500mA Darlington Arrays Driver Board

### Features

- 1, Low Cost , easy to use.
- 2, Output current (single output) 500mA MAX
- 3, High sustaining voltage output 50V MIN
- 4, Output clamp diodes
- 5, Inputs compatible with various types of logic
- 6, Support onboard connector or external connector

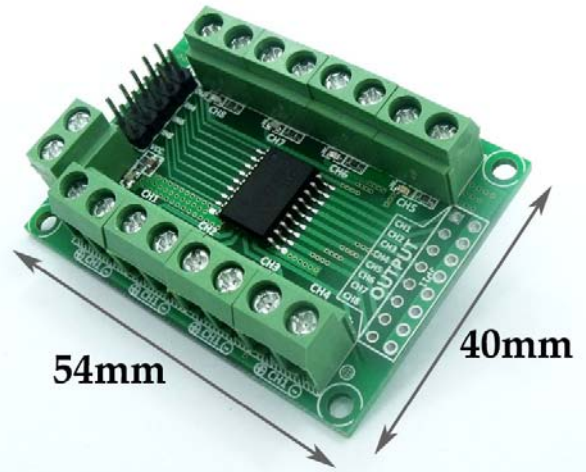
### Specifications

#### Electrical Characteristics

Power supply : Max to 50V  
Input voltage (Out ON) : 2.4 to 3.0V (Max 30V)

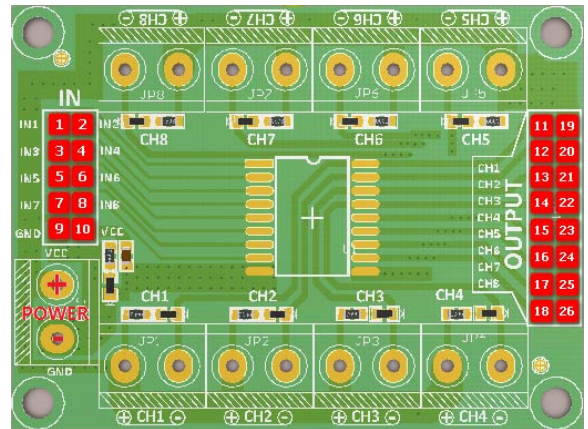
#### Environmental

Operation Temperature : 0°C to 55°C  
Operating Humidity : 0 to 90% non-condensing  
Storage Temperature : -20°C to 65°C

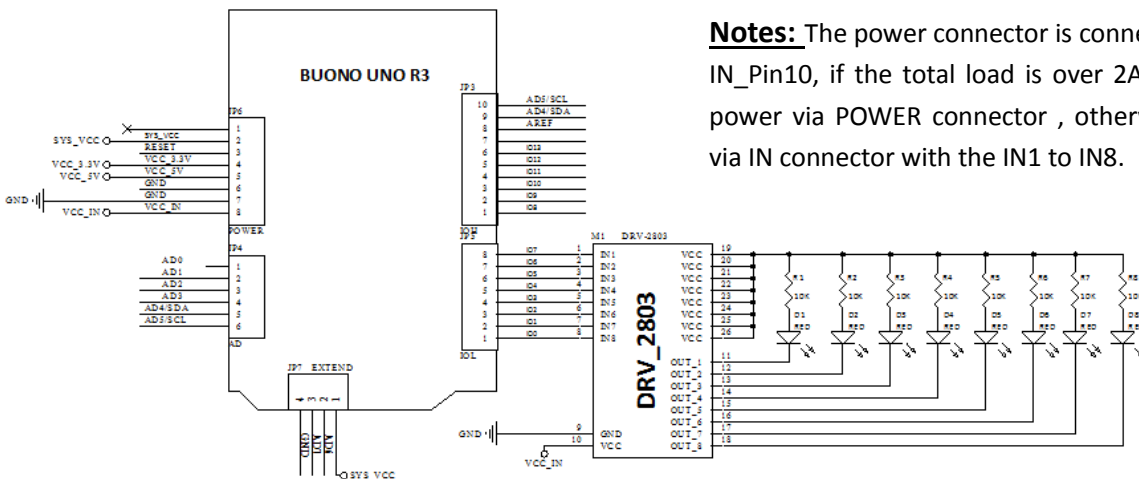


### Pin description

No.	Pin Name	Description	Remark
1	IN1	CH1 INPUT	1, Input Current: 1.35mA 2, Input Threshold: 2.4~3.0V 3, IN H: Output ON 4, Turn On/Off Delay: 1uS
2	IN2	CH2 INPUT	
3	IN3	CH3 INPUT	
4	IN4	CH4 INPUT	
5	IN5	CH5 INPUT	
6	IN6	CH6 INPUT	
7	IN7	CH7 INPUT	
8	IN8	CH8 INPUT	
9	GND	GND	
10	VCC	POWER	
11 to 18	OUT CH1~CH8	OUTPUT	When IN=H , OUT = ON
19 to 20	VCC	VCC	POWER FOR LOAD



### Application schematic



**Notes:** The power connector is connected to IN\_Pin9 and IN\_Pin10, if the total load is over 2A , please connected power via POWER connector , otherwise you can power via IN connector with the IN1 to IN8.

#### INHAOS China office:

No.6 Building, Songke Estate, Songshan Lake National Hi-tech Industrial Development Zone, Dongguan, Guangdong Province, 523808, China

#### INHAOS Headquarter:

1111 Oakmont Drive #C, San Jose, CA 95117

E-mail : support@inhaos.com

E-mail:

Support@inhaos.com