

Features

- 1, 315MH and 433.92MHz Frequency
- 2, -109dBm High Sensitivity
- 3, Image Rejection Function
- 4, Low Power Consumption
- 5, Excellent Selectivity and Noise Rejection

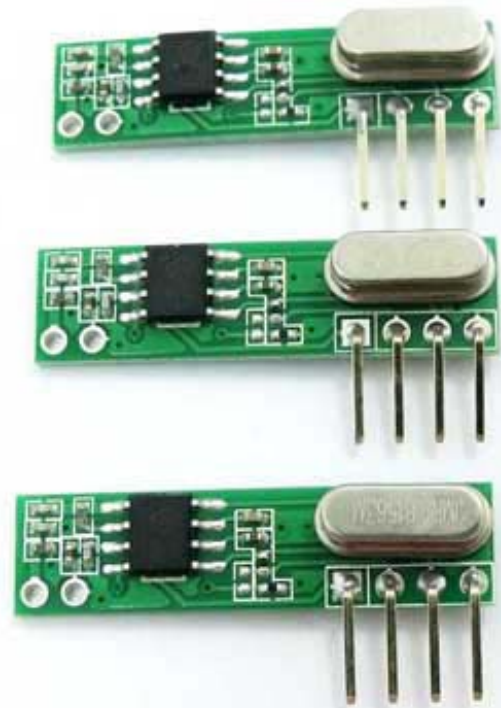
Specifications

Electrical Characteristics

Power supply :	3.6 to 5.5V
Max Input Power:	+10 dBm
Receiver Sensitivity:	12.5mA
Image Rejection:	-109dBm
Standby current:	20dB
Supply Current:	4.5 ~ 7mA
Shut Down Current:	0.5uA

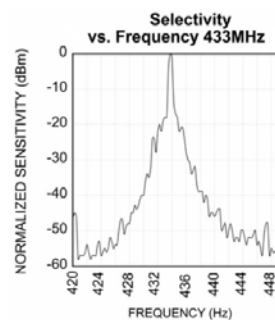
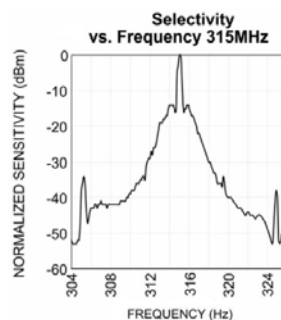
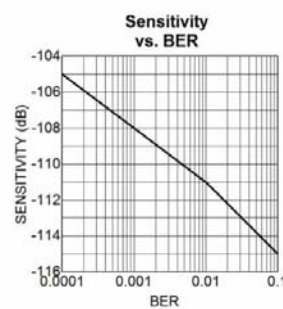
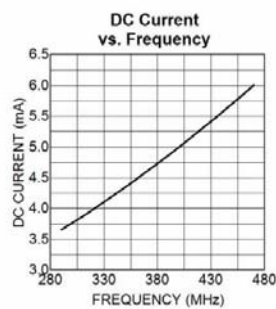
Environmental

Operation Temperature :	0°C to 55°C
Operating Humidity :	0 to 90% non-condensing
Storage Temperature :	-20°C to 65°C

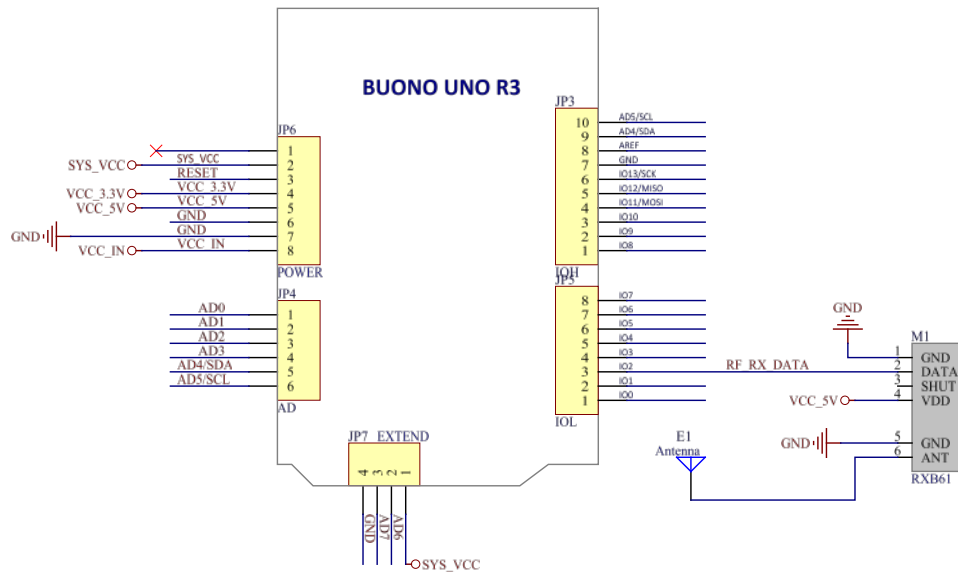


The RXB61 is an UHF ASK receive module in small package which operation at 315MHz or 433.92MHz with typical sensitivity of -109dBm.

The RXB61 module architecture receiver for ASK and OOK modulation such as pulse width modulation , variable pulse modulation , Manchester modulation and so on , The module receiver also provides image rejection function to remove the image band and selects the desired signal.



Application with BUONO UNO R3:



rc-switch

The rc-switch lib allow you Use your Arduino or Raspberry Pi to operate this module , download:

<https://github.com/sui77/rc-switch>

Arduino Demo Code:

```

1  /*
2   Simple example for receiving
3   http://code.google.com/p/rc-switch/
4  */
5
6  #include <RCSwitch.h>
7
8  RCSwitch mySwitch = RCSwitch();
9
10 void setup() {
11   Serial.begin(9600);
12   mySwitch.enableReceive(0); // Receiver on interrupt 0 => that is pin #2
13 }
14
15 void loop() {
16   if (mySwitch.available()) {
17
18     int value = mySwitch.getReceivedValue();
19
20     if (value == 0) {
21       Serial.print("Unknown encoding");
22     } else {
23       Serial.print("Received ");
24       Serial.print( mySwitch.getReceivedValue() );
25       Serial.print(" / ");
26       Serial.print( mySwitch.getReceivedBitlength() );
27       Serial.print("bit ");
28       Serial.print("Protocol: ");
29       Serial.println( mySwitch.getReceivedProtocol() );
30     }
31   }
32   mySwitch.resetAvailable();
33 }
34 }
35

```

INHAOS Headquarter :

1111 Oakmont Drive #C, San Jose, CA 95117
E-mail : support@inhaos.com

INHAOS China office :

No.6 Building, Songke Estate, Songshan Lake
National Hi-tech Industrial Development
Zone, Dongguan, Guangdong Province, 523808, China

E-mail: Support@inhaos.com

This module have 315M and 433.92MHz two frequency for user choice , the Receiver can be using TX5