

# UC-2000

# Isolated TTL USB to RS-232 Converter

DOC-DS-UC2000-V10-EN

## Introduction

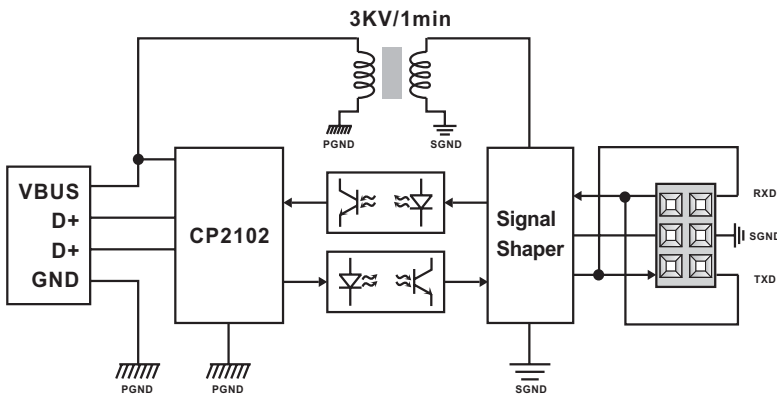
INHAOS UC-2000 is a USB to RS-232 converter designed for engineers, this may be the smallest isolated converter on the market. INHAOS engineers install the optical isolator and DC to DC isolator in a 50\*17.5\*7mm aluminum case .Good isolation and easy-carry makes it be good friend of the engineer.



## Specifications

- Connection : 2.54mm Female Header 2 × 3pin  
(TXD.GND.RXD) 500mm Cable
- USB to RS-232 chip : CP2102 Form Silicon Laboratories
- USB spec: USB 2.0 Full speed
- Support OS : Windows 98 or later  
MAC OS-9  
MAC OS-X  
Linux 2.40
- Max Baud Rate:128K bps
- Output Level : TTL-3.3V
- Isolation voltage : 3KVrms/1minute

Drivers can be downloaded at the silicon labs:  
<https://www.silabs.com/products/interface/usbtouart/Pages/default.aspx>



Functional Block Diagram

## Where needs it ?

- RS-232 connection in different ground level
- Connection between electrostatic sensitive equipments and PC
- Connection between leakage-risky equipment and PC
- RS-232 serial interface circuit design and debug

## Who needs it ?

- RS-232 interface design engineer
- Equipment engineer
- School / laboratory technicians

## Headquarter :

540 Mill River LN San Jose, CA95134

TEL : +1-408-506-9612

E-mail : Yuming.liu@inhaos.com

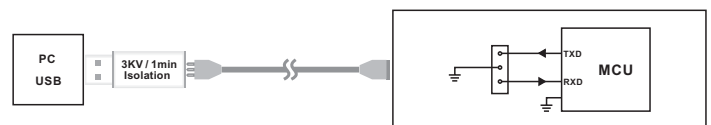
## China :

No.6 Building,Songke Estate,Songshan Lake National Hi-tech Industrial Development Zone,Dongguan, Guangdong Province,China

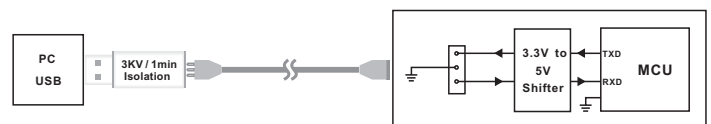
TEL : +86-769-38988860

E-mail : support@inhaos.com

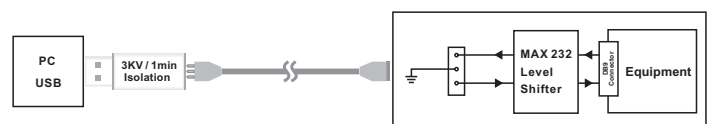
## Applications:



Application 1 : 3.3V TTL Interface



Application 2 : 5V TTL Interface



Application 3 : For standard RS-232 equipment

More applications, please visit: <http://www.inhaos.com>